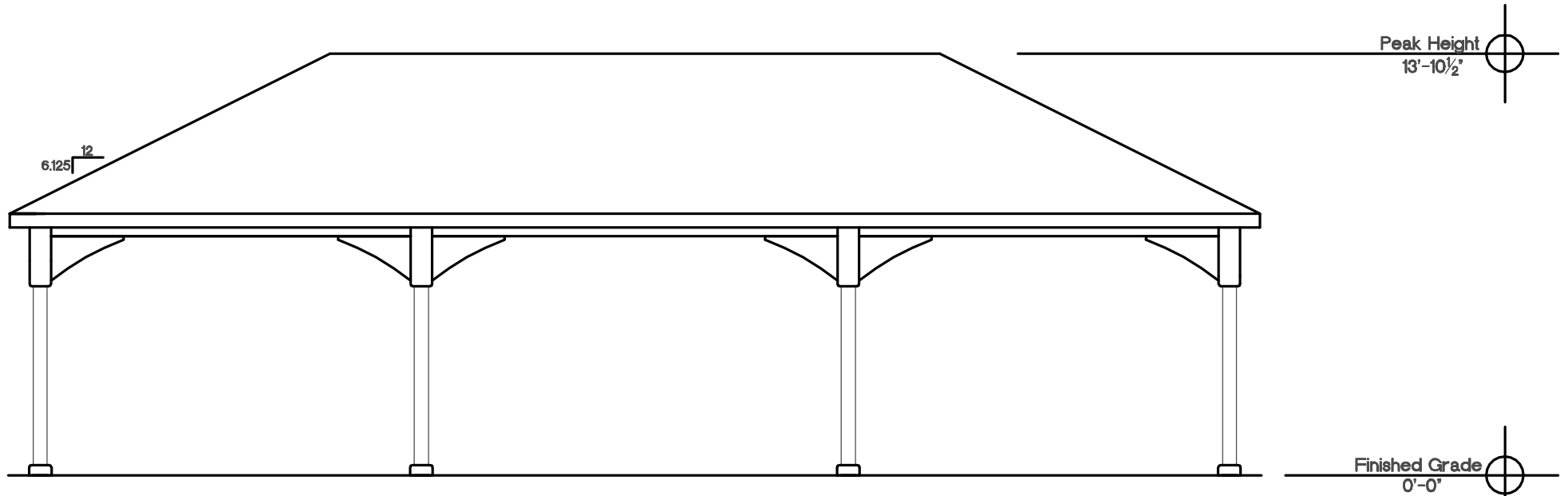


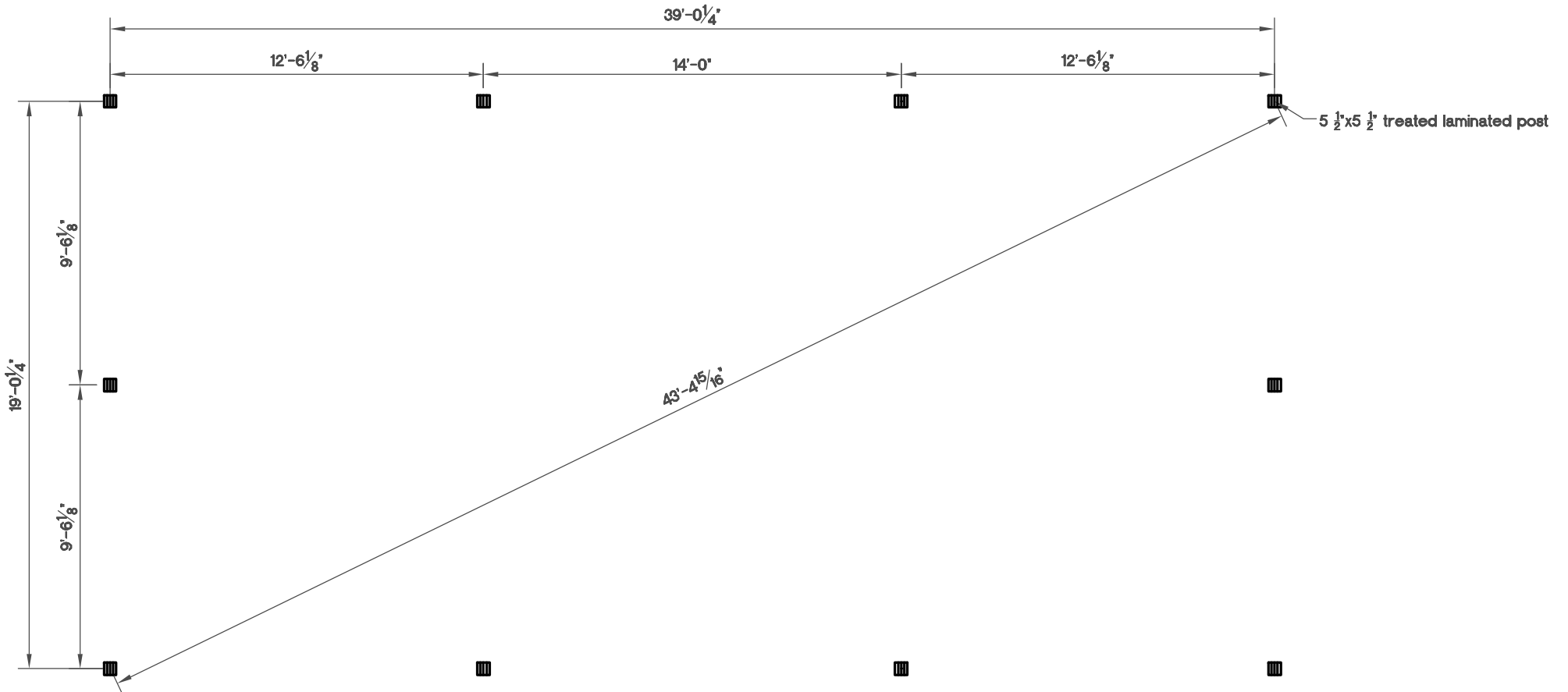
End Elevation 20'x40'

NTS



Side Elevation 20'x40'

NTS

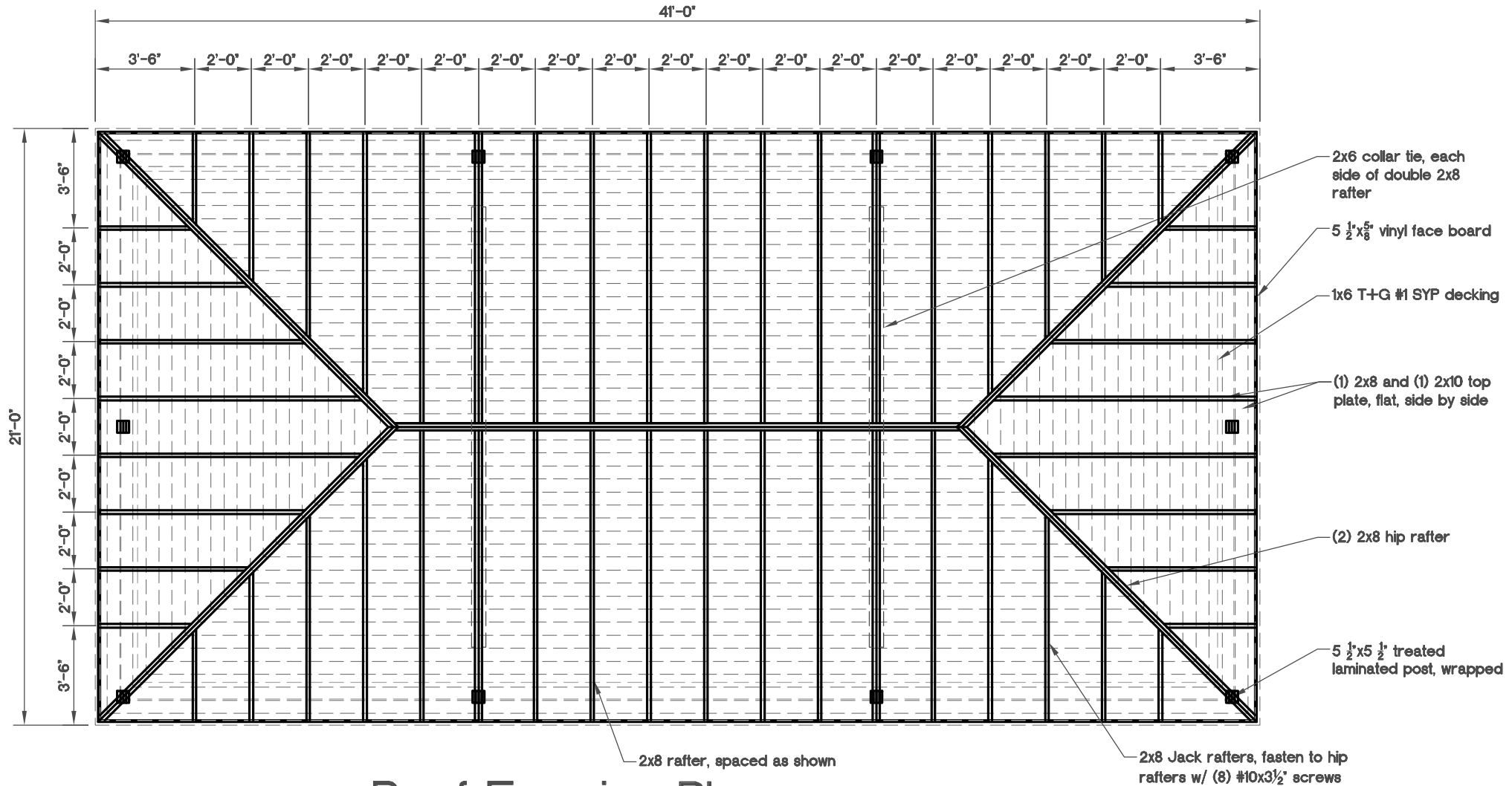


Post Layout Plan

NTS

Note:

The foundation for this pavilion is to be designed according to local code requirements using the design reactions from the chart on the cover sheet of the drawings by Timber Tech Engineering, Inc. having the same job number referenced above. Foundation designs for other pavilion sizes or styles may not be adequate for this structure.



Roof Framing Plan

NTS