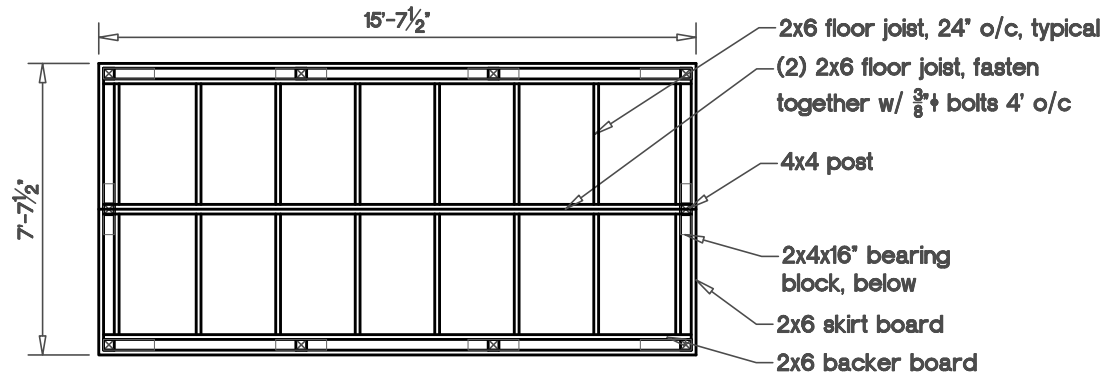


Post Layout Plan

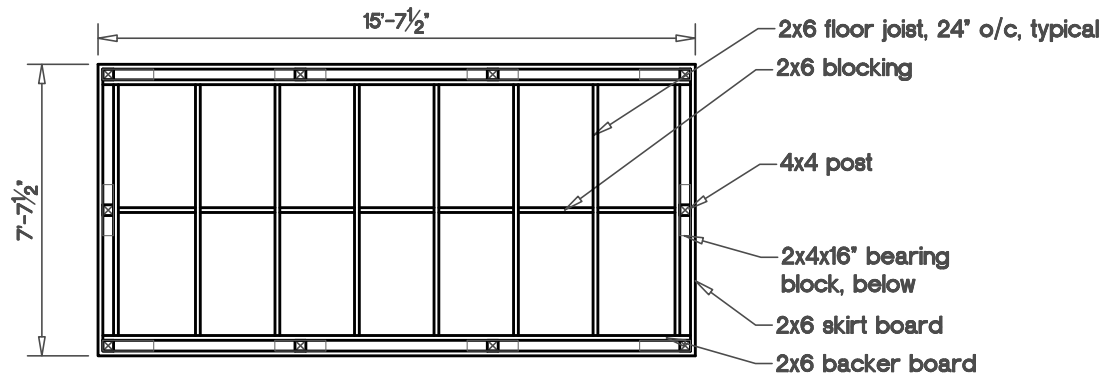
NTS



Floor Framing Plan

Kit Unit

NTS



Floor Framing Plan

NTS

Fully Assembled Unit