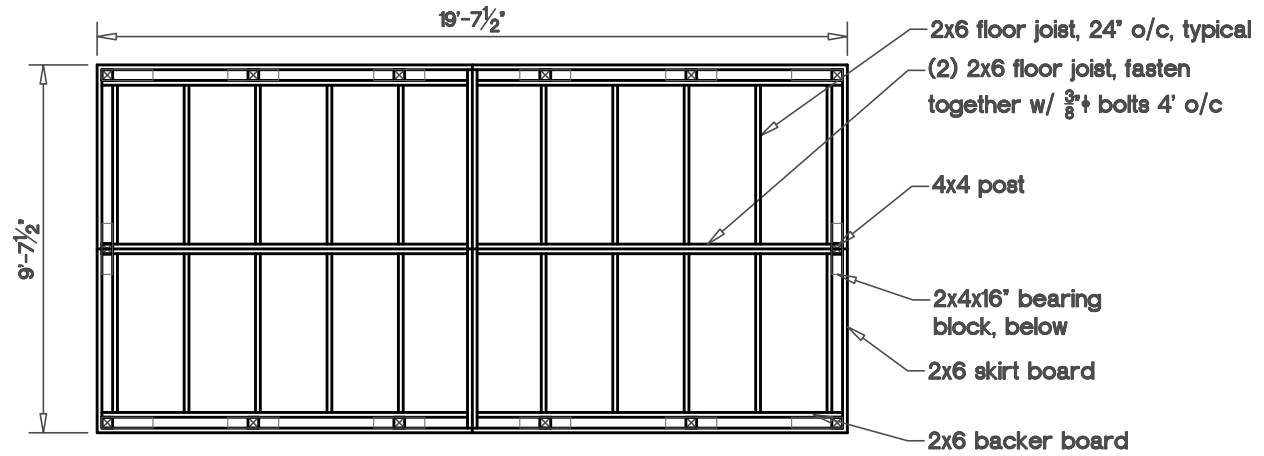


# Post Layout Plan

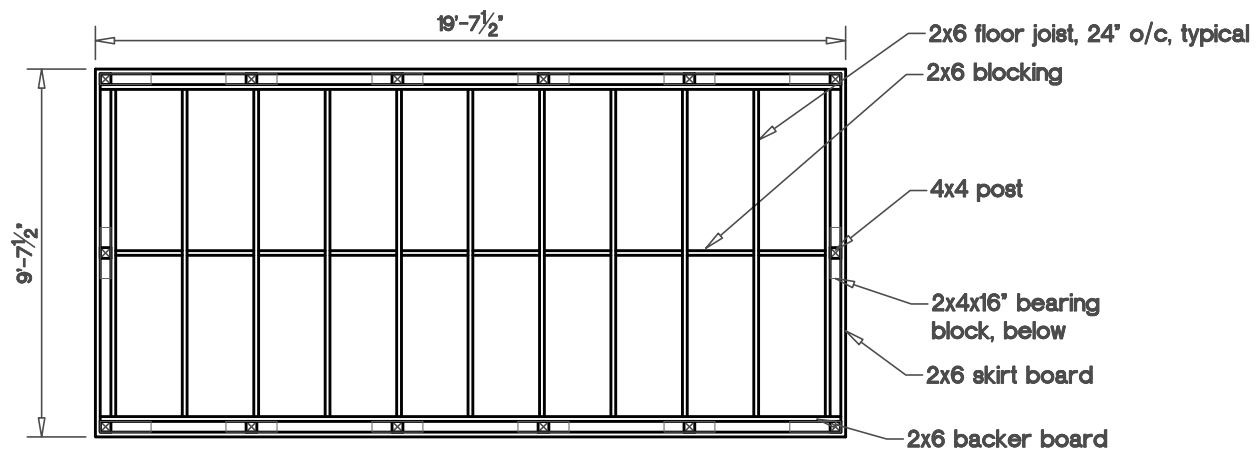
NTS



# Floor Framing Plan

NTS

Kit Unit



# Floor Framing Plan

Fully Assembled Unit

NTS