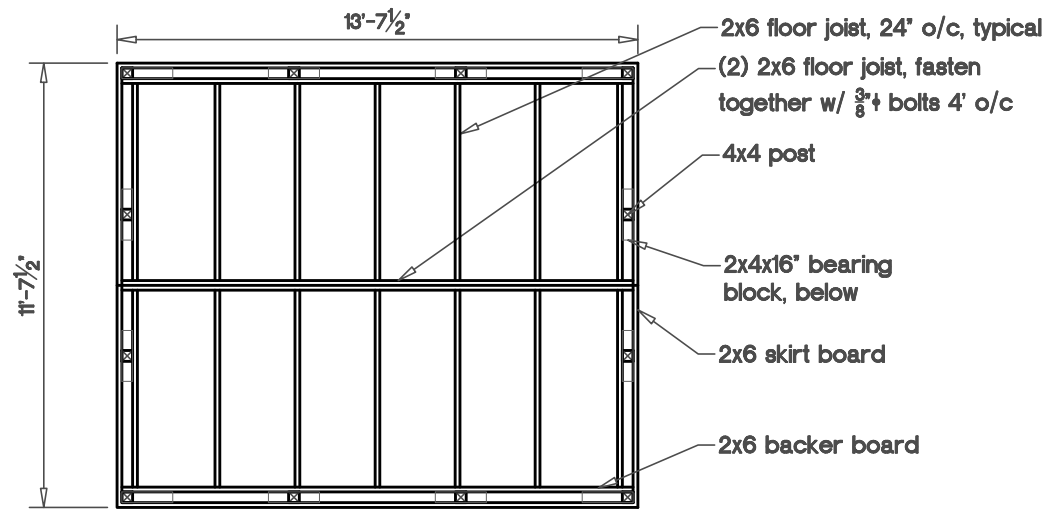


# Post Layout Plan

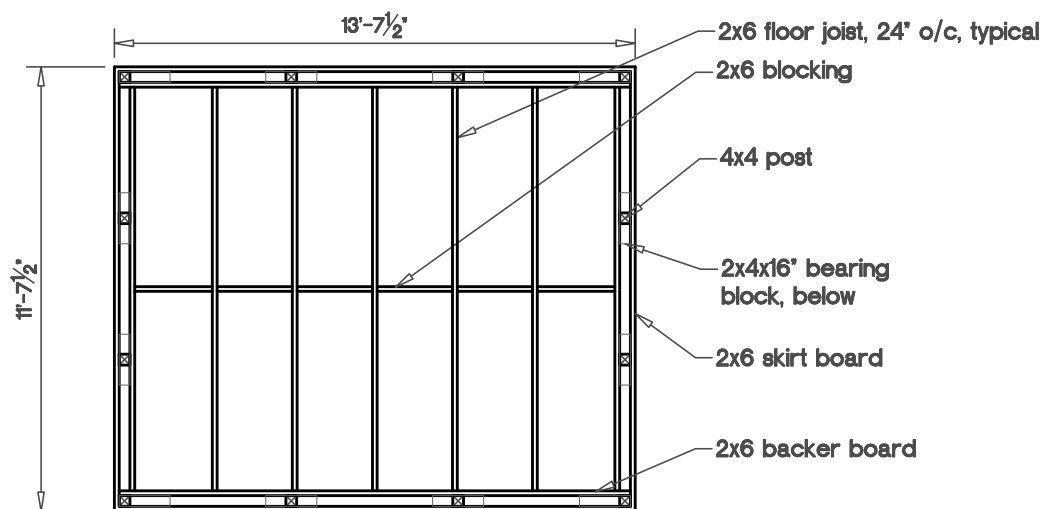
NTS



# Floor Framing Plan

Kit Unit

NTS



# Floor Framing Plan

Full Assembled Unit

NTS