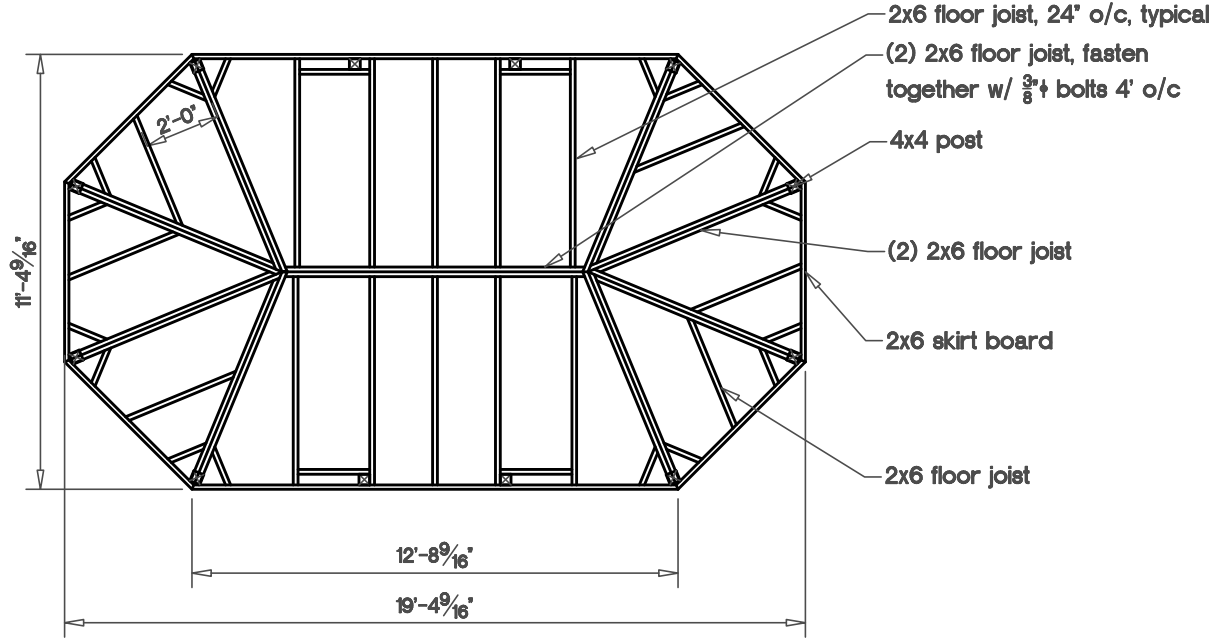


# Post Layout Plan

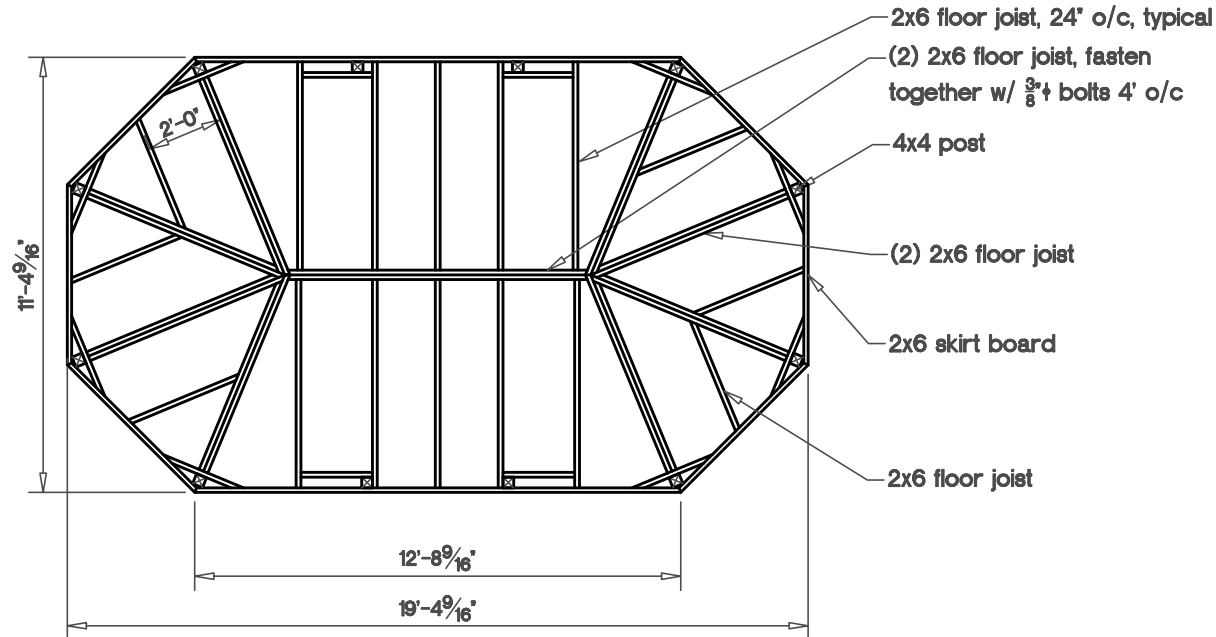
NTS



# Floor Framing Plan

Kit Unit

NTS



**Floor Framing Plan**  
Fully Assembled Unit

NTS