

THIS DRAWING IS THE PROPERTY OF COUNTRY LANE WOODWORKING, AND REPRODUCTION, ALTERATION, OR USE OF THIS DRAWING, WITHOUT THE WRITTEN CONSENT OF COUNTRY LANE WOODWORKING, IS PROHIBITED. DRAWINGS SHALL NOT BE SCALED TO OBTAIN DIMENSIONS. THE CONTRACTORS/DEALERS, AND BUILDERS INVOLVED ON THIS PROJECT SHALL VERIFY ALL DIMENSIONS AND CONDITIONS BEFORE STARTING WORK, AND ANY DISCREPANCY SHALL BE REPORTED IN WRITING BEFORE STARTING WORK.

DEALER:

CLW

DRAWING TITLE:

Front Elevation

PROJECT:

10x10 Santa Fe Wood

COMMENTS:

REVISIONS:

DATE:

BY:

DRAWING NUMBER:

17-

DATE: 6/9/2017

PAGE: 1 of 3

BY: JR.

SCALE: 1:24

THIS DRAWING IS THE PROPERTY OF COUNTRY LANE WOODWORKING, AND REPRODUCTION, ALTERATION, OR USE OF THIS DRAWING, WITHOUT THE WRITTEN CONSENT OF COUNTRY LANE WOODWORKING, IS PROHIBITED. DRAWINGS SHALL NOT BE SCALED TO OBTAIN DIMENSIONS. THE CONTRACTORS/DEALERS, AND BUILDERS INVOLVED ON THIS PROJECT SHALL VERIFY ALL DIMENSIONS AND CONDITIONS BEFORE STARTING WORK, AND ANY DISCREPANCY SHALL BE REPORTED IN WRITING BEFORE STARTING WORK.

DEALER:

CLW

DRAWING TITLE:

Side Elevation

PROJECT:

10x10 Santa Fe Wood

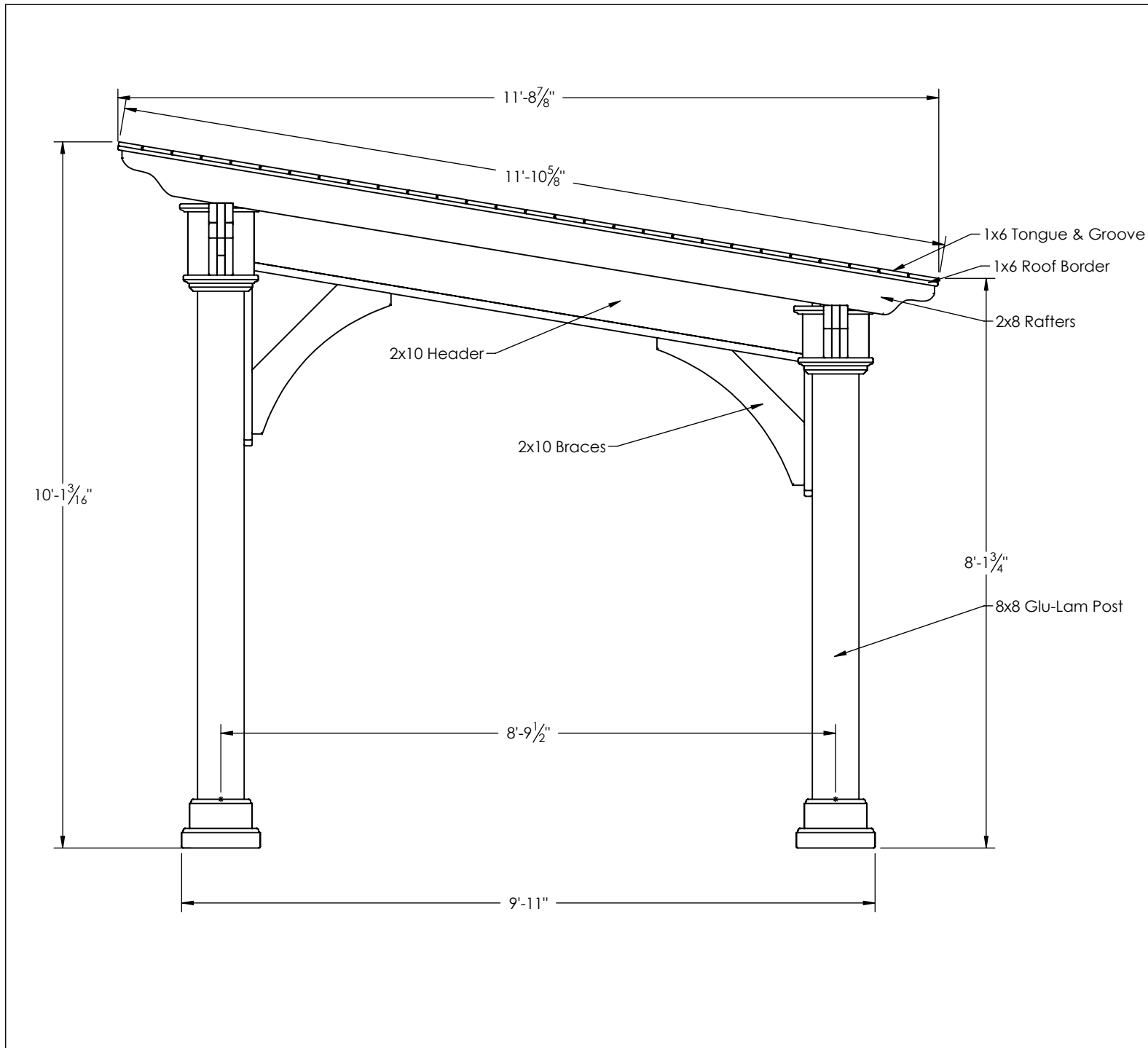
COMMENTS:

REVISIONS:	DATE:	BY:
------------	-------	-----

DRAWING NUMBER: 17-

DATE: 6/9/2017	PAGE: 2 of 3
----------------	--------------

BY: JR.	SCALE: 1:24
---------	-------------



THIS DRAWING IS THE PROPERTY OF COUNTRY LANE WOODWORKING, AND REPRODUCTION, ALTERATION, OR USE OF THIS DRAWING, WITHOUT THE WRITTEN CONSENT OF COUNTRY LANE WOODWORKING, IS PROHIBITED. DRAWINGS SHALL NOT BE SCALED TO OBTAIN DIMENSIONS. THE CONTRACTORS/DEALERS, AND BUILDERS INVOLVED ON THIS PROJECT SHALL VERIFY ALL DIMENSIONS AND CONDITIONS BEFORE STARTING WORK, AND ANY DISCREPANCY SHALL BE REPORTED IN WRITING BEFORE STARTING WORK.

DEALER:

CLW

DRAWING TITLE:

Post Layout Plan

PROJECT:

10x10 Santa Fe Wood

COMMENTS:

REVISIONS:	DATE:	BY:

DRAWING NUMBER: 17-

DATE: 6/9/2017 PAGE: 3 of 3

BY: JR. SCALE: 1:24

