

THIS DRAWING IS THE PROPERTY OF COUNTRY LANE WOODWORKING, AND REPRODUCTION, ALTERATION, OR USE OF THIS DRAWING, WITHOUT THE WRITTEN CONSENT OF COUNTRY LANE WOODWORKING, IS PROHIBITED. DRAWINGS SHALL NOT BE SCALED TO OBTAIN DIMENSIONS. THE CONTRACTORS/DEALERS, AND BUILDERS INVOLVED ON THIS PROJECT SHALL VERIFY ALL DIMENSIONS AND CONDITIONS BEFORE STARTING WORK, AND ANY DISCREPANCY SHALL BE REPORTED IN WRITING BEFORE STARTING WORK.

DEALER:

CLW

DRAWING TITLE:

Front Elevation

PROJECT:

10x12 Santa Fe Wood

COMMENTS:

XXX

REVISIONS:
xxx

DATE:
xxx

BY:
xxx

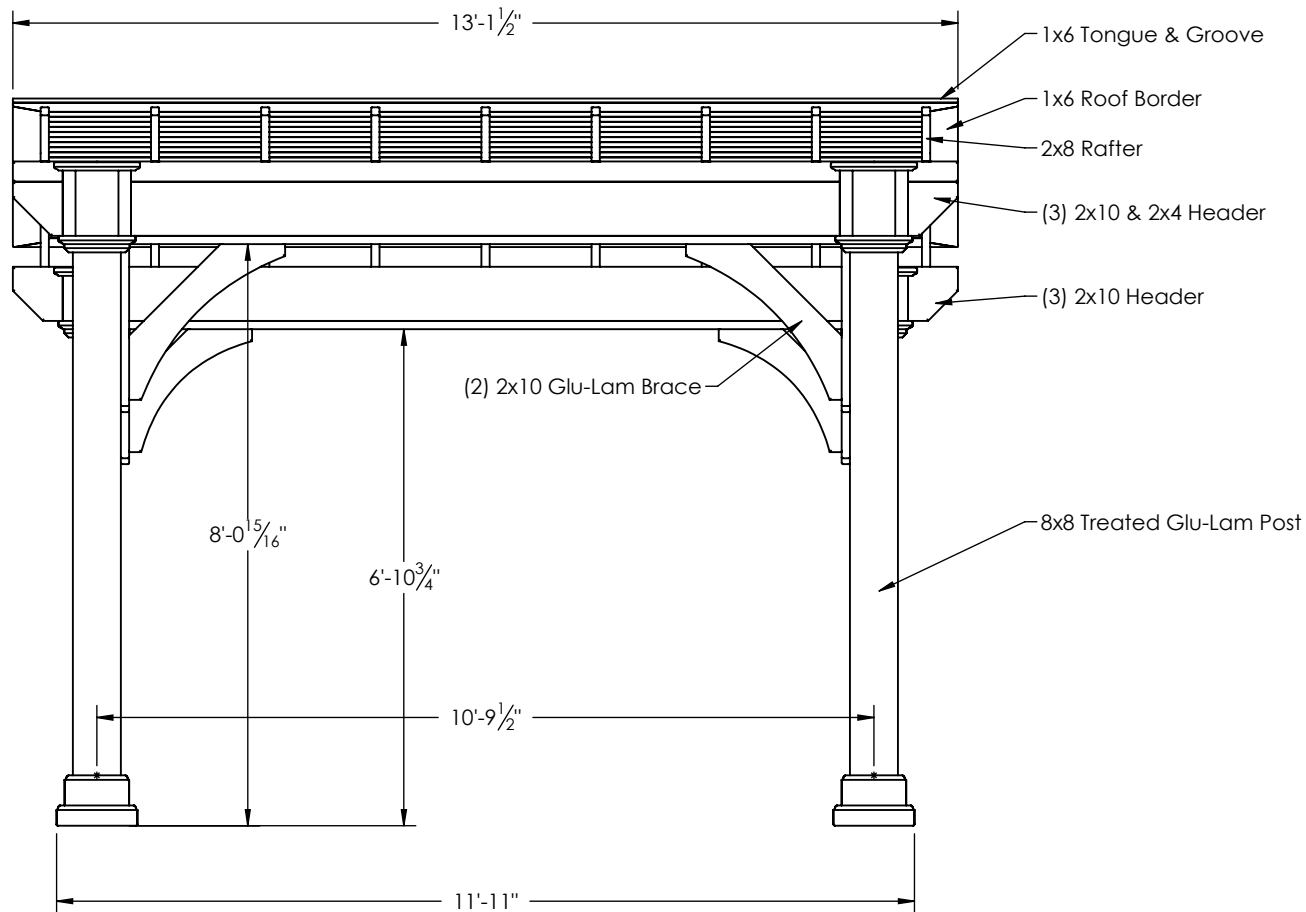
DRAWING NUMBER: 17- X

DATE: 5/26/2017

PAGE: 1 of 3

BY: JR.

SCALE: 1:32



THIS DRAWING IS THE PROPERTY OF COUNTRY LANE WOODWORKING, AND REPRODUCTION, ALTERATION, OR USE OF THIS DRAWING, WITHOUT THE WRITTEN CONSENT OF COUNTRY LANE WOODWORKING, IS PROHIBITED. DRAWINGS SHALL NOT BE SCALED TO OBTAIN DIMENSIONS. THE CONTRACTORS/DEALERS, AND BUILDERS INVOLVED ON THIS PROJECT SHALL VERIFY ALL DIMENSIONS AND CONDITIONS BEFORE STARTING WORK, AND ANY DISCREPANCY SHALL BE REPORTED IN WRITING BEFORE STARTING WORK.

DEALER:

CLW

DRAWING TITLE:

Side Elevation

PROJECT:

10x12 Santa Fe Wood

COMMENTS:

XXX

REVISIONS:
xxx

DATE:
xxx

BY:
xxx

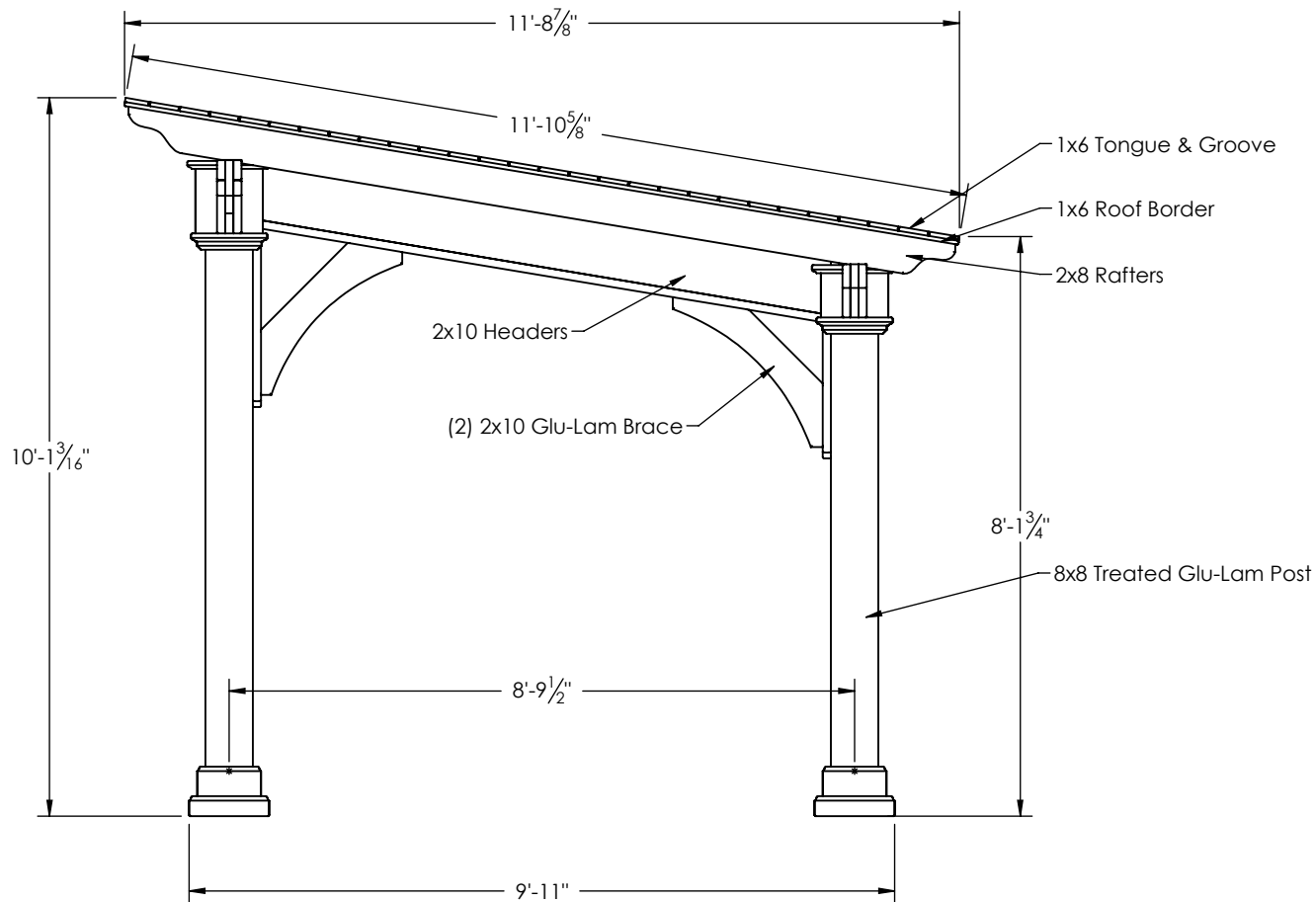
DRAWING NUMBER: 17- X

DATE: 5/26/2017

PAGE: 2 of 3

BY: JR.

SCALE: 1:32



THIS DRAWING IS THE PROPERTY OF COUNTRY LANE WOODWORKING, AND REPRODUCTION, ALTERATION, OR USE OF THIS DRAWING, WITHOUT THE WRITTEN CONSENT OF COUNTRY LANE WOODWORKING, IS PROHIBITED. DRAWINGS SHALL NOT BE SCALED TO OBTAIN DIMENSIONS. THE CONTRACTORS/DEALERS, AND BUILDERS INVOLVED ON THIS PROJECT SHALL VERIFY ALL DIMENSIONS AND CONDITIONS BEFORE STARTING WORK, AND ANY DISCREPANCY SHALL BE REPORTED IN WRITING BEFORE STARTING WORK.

DEALER:

CLW

DRAWING TITLE:

Post Layout Plan

PROJECT:

10x12 Santa Fe Wood

COMMENTS:

XXX

REVISIONS:
xxx

DATE:
xxx

BY:
xxx

DRAWING NUMBER: 17- X

DATE: 5/26/2017

PAGE: 3 of 3

BY: JR.

SCALE: 1:32

