

THIS DRAWING IS THE PROPERTY OF COUNTRY LANE WOODWORKING, ANY REPRODUCTION, ALTERATION, OR USE OF THIS DRAWING, WITHOUT THE WRITTEN CONSENT OF COUNTRY LANE WOODWORKING, IS PROHIBITED. DRAWINGS SHALL NOT BE SCALED TO OBTAIN DIMENSIONS. THE CONTRACTORS/DEALERS, AND BUILDERS INVOLVED ON THIS PROJECT SHALL VERIFY ALL DIMENSIONS AND CONDITIONS BEFORE STARTING WORK. ANY DISCREPANCY SHALL BE REPORTED IN WRITING BEFORE STARTING WORK.

Contractor

CLW

DRAWING TITLE:

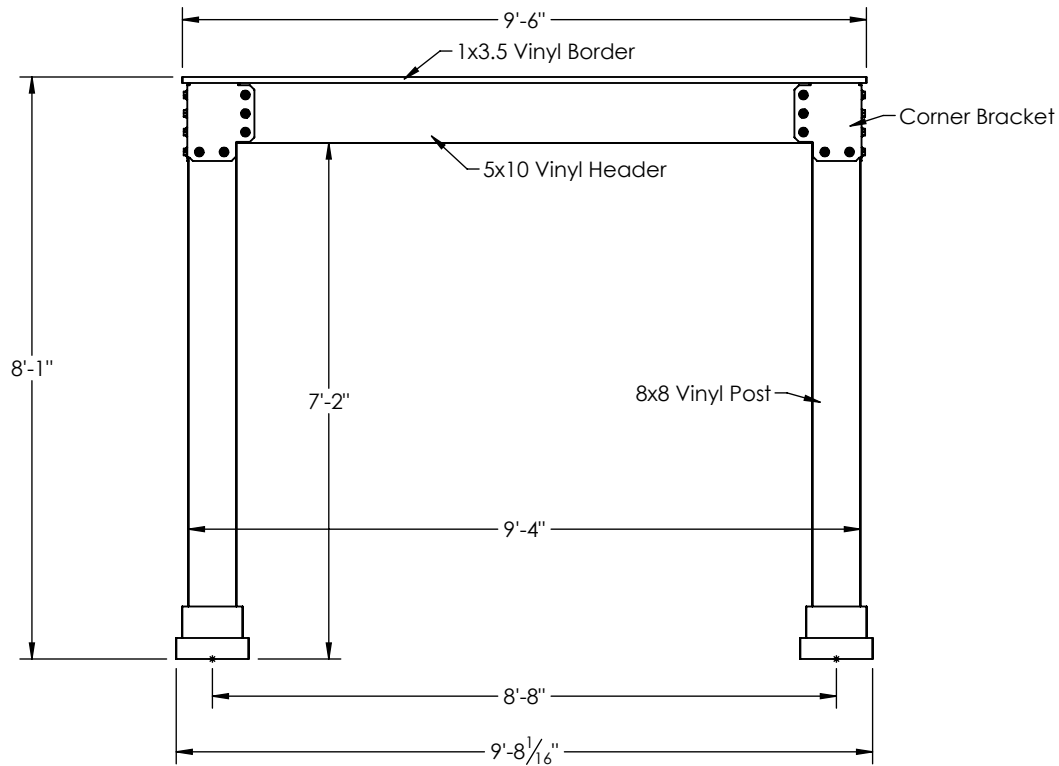
Side Elevation Plan

PROJECT:

10x10 Vista Vinyl Pergola

COMMENTS:

REVISIONS:	DATE:	BY:
PAPER SIZE: 8.5" x 11"	DRAWING NUMBER: 21-060	
DATE: 2/16/2021	PAGE: 1 of 6	
BY: JR.	SCALE: 1:32	



Scale: 3/8" = 1'



191 JALYN DRIVE NEW HOLLAND, PA 17557
 PH: 717-351-9250 FAX: 717-351-9248
 WWW.GAZEBO.COM

THIS DRAWING IS THE PROPERTY OF COUNTRY LANE WOODWORKING, ANY REPRODUCTION, ALTERATION, OR USE OF THIS DRAWING, WITHOUT THE WRITTEN CONSENT OF COUNTRY LANE WOODWORKING, IS PROHIBITED. DRAWINGS SHALL NOT BE SCALED TO OBTAIN DIMENSIONS. THE CONTRACTORS/DEALERS, AND BUILDERS INVOLVED ON THIS PROJECT SHALL VERIFY ALL DIMENSIONS AND CONDITIONS BEFORE STARTING WORK. ANY DISCREPANCY SHALL BE REPORTED IN WRITING BEFORE STARTING WORK.

Contractor

CLW

DRAWING TITLE:

End Elevation Plan

PROJECT:

10x10 Vista Vinyl Pergola

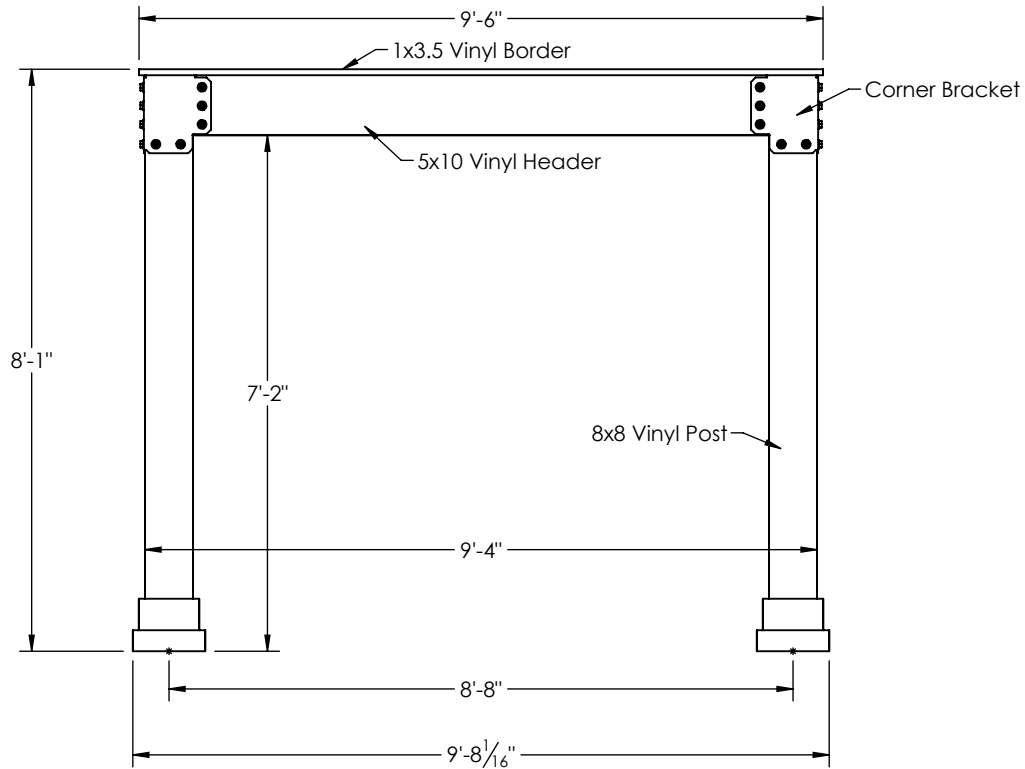
COMMENTS:

REVISIONS:	DATE:	BY:

PAPER SIZE: 8.5" x 11"	DRAWING NUMBER: 21-060
---------------------------	---------------------------

DATE: 2/16/2021	PAGE: 2 of 6
-----------------	--------------

BY: JR.	SCALE: 1:32
---------	-------------



Scale: 3/8" = 1'



191 JALYN DRIVE NEW HOLLAND, PA 17557
 PH: 717-351-9250 FAX: 717-351-9248
 WWW.GAZEBO.COM

THIS DRAWING IS THE PROPERTY OF COUNTRY LANE WOODWORKING, ANY REPRODUCTION, ALTERATION, OR USE OF THIS DRAWING, WITHOUT THE WRITTEN CONSENT OF COUNTRY LANE WOODWORKING, IS PROHIBITED. DRAWINGS SHALL NOT BE SCALED TO OBTAIN DIMENSIONS. THE CONTRACTORS/DEALERS, AND BUILDERS INVOLVED ON THIS PROJECT SHALL VERIFY ALL DIMENSIONS AND CONDITIONS BEFORE STARTING WORK. ANY DISCREPANCY SHALL BE REPORTED IN WRITING BEFORE STARTING WORK.

Contractor

CLW

DRAWING TITLE:

Roof Framing Plan

PROJECT:

10x10 Vista Vinyl Pergola

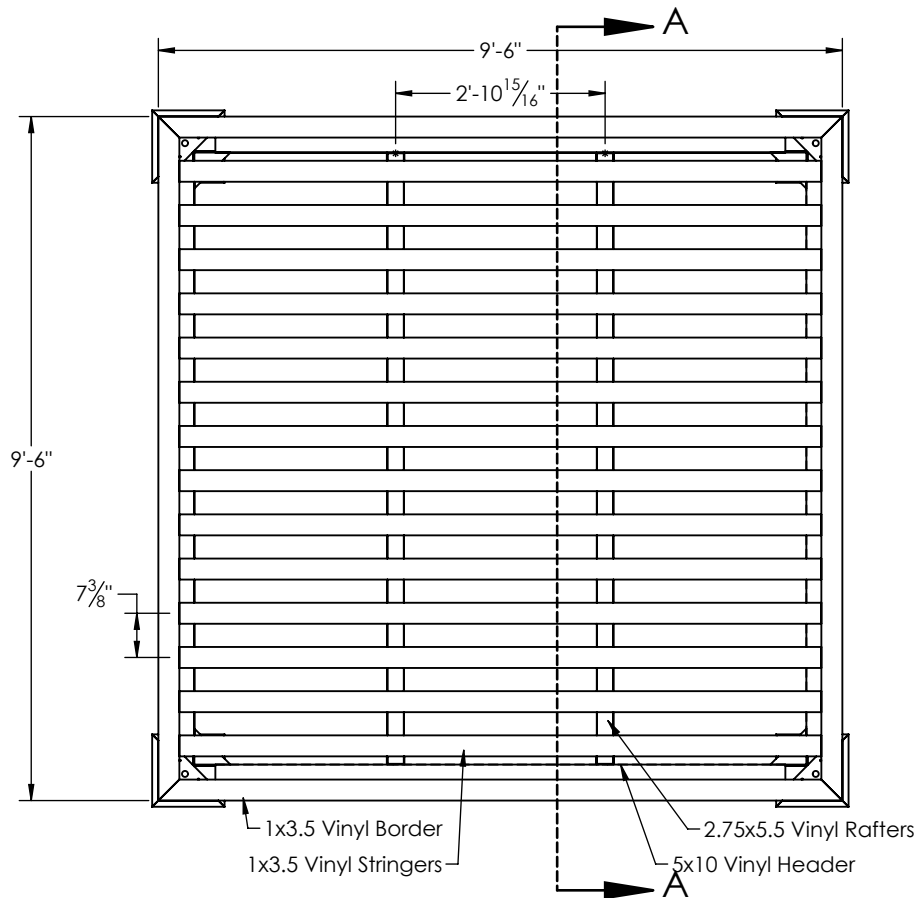
COMMENTS:

REVISIONS:	DATE:	BY:

PAPER SIZE: 8.5" x 11"	DRAWING NUMBER: 21-060
---------------------------	---------------------------

DATE: 2/16/2021	PAGE: 3 of 6
-----------------	--------------

BY: JR.	SCALE: 1:32
---------	-------------



Scale: 3/8" = 1'

THIS DRAWING IS THE PROPERTY OF COUNTRY LANE WOODWORKING, ANY REPRODUCTION, ALTERATION, OR USE OF THIS DRAWING, WITHOUT THE WRITTEN CONSENT OF COUNTRY LANE WOODWORKING, IS PROHIBITED. DRAWINGS SHALL NOT BE SCALED TO OBTAIN DIMENSIONS. THE CONTRACTORS/DEALERS, AND BUILDERS INVOLVED ON THIS PROJECT SHALL VERIFY ALL DIMENSIONS AND CONDITIONS BEFORE STARTING WORK. ANY DISCREPANCY SHALL BE REPORTED IN WRITING BEFORE STARTING WORK.

Contractor

CLW

DRAWING TITLE:

Cross Section A-A

PROJECT:

10x10 Vista Vinyl Pergola

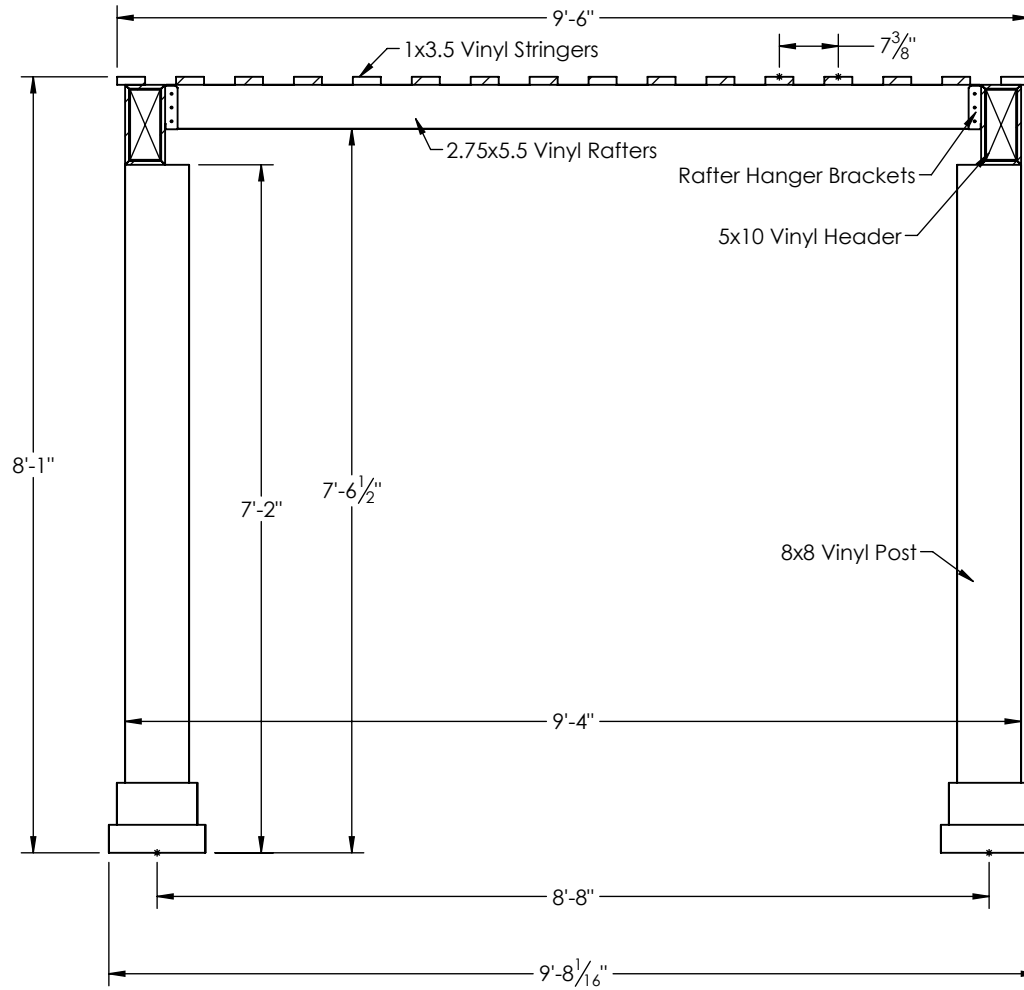
COMMENTS:

REVISIONS:	DATE:	BY:
------------	-------	-----

PAPER SIZE: 8.5" x 11"	DRAWING NUMBER: 21-060
---------------------------	---------------------------

DATE: 2/16/2021	PAGE: 4 of 6
--------------------	-----------------

BY: JR.	SCALE: 1:24
------------	----------------



CROSS SECTION A-A

Scale: 1/2" = 1'



191 JALYN DRIVE NEW HOLLAND, PA 17557
 PH: 717-351-9250 FAX: 717-351-9248
 WWW.GAZEBO.COM

THIS DRAWING IS THE PROPERTY OF COUNTRY LANE WOODWORKING, ANY REPRODUCTION, ALTERATION, OR USE OF THIS DRAWING, WITHOUT THE WRITTEN CONSENT OF COUNTRY LANE WOODWORKING, IS PROHIBITED. DRAWINGS SHALL NOT BE SCALED TO OBTAIN DIMENSIONS. THE CONTRACTORS/DEALERS, AND BUILDERS INVOLVED ON THIS PROJECT SHALL VERIFY ALL DIMENSIONS AND CONDITIONS BEFORE STARTING WORK. ANY DISCREPANCY SHALL BE REPORTED IN WRITING BEFORE STARTING WORK.

Contractor

CLW

DRAWING TITLE:

Post Layout Plan

PROJECT:

10x10 Vista Vinyl Pergola

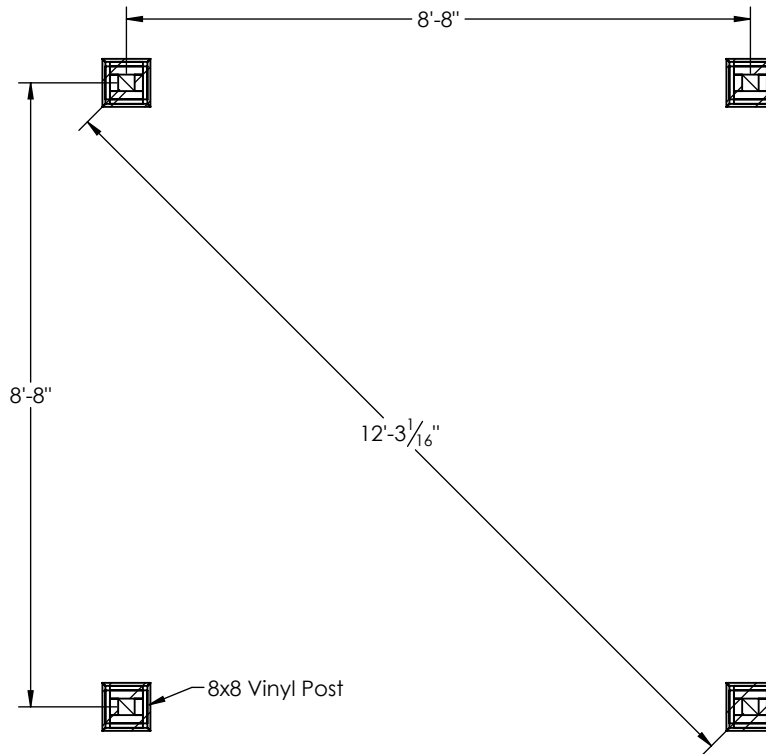
COMMENTS:

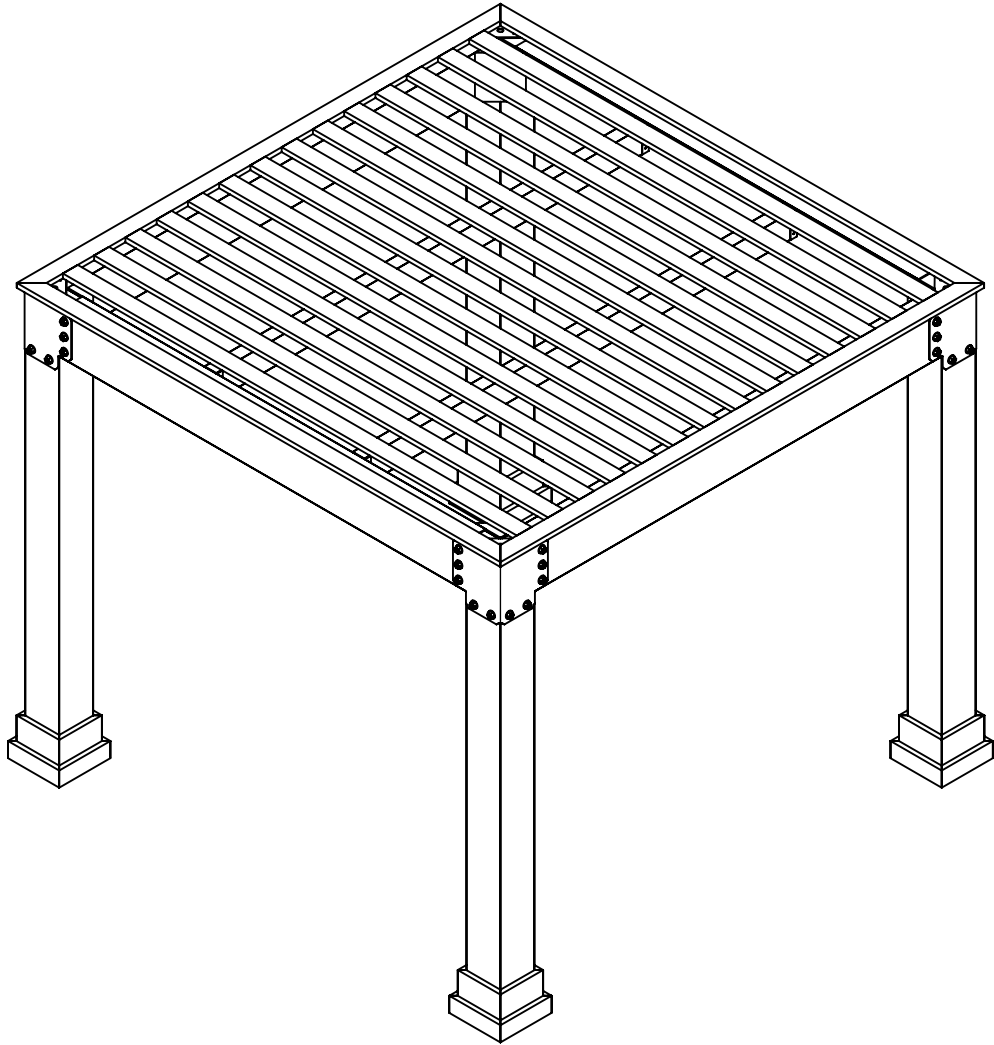
REVISIONS:	DATE:	BY:
------------	-------	-----

PAPER SIZE: 8.5" x 11"	DRAWING NUMBER: 21-060
---------------------------	---------------------------

DATE: 2/16/2021	PAGE: 5 of 6
-----------------	--------------

BY: JR.	SCALE: 1:32
---------	-------------





191 JALYN DRIVE NEW HOLLAND, PA 17557
 PH: 717-351-9250 FAX: 717-351-9248
 WWW.GAZEBO.COM

THIS DRAWING IS THE PROPERTY OF COUNTRY LANE WOODWORKING, ANY REPRODUCTION, ALTERATION, OR USE OF THIS DRAWING, WITHOUT THE WRITTEN CONSENT OF COUNTRY LANE WOODWORKING, IS PROHIBITED. DRAWINGS SHALL NOT BE SCALED TO OBTAIN DIMENSIONS. THE CONTRACTORS/DEALERS, AND BUILDERS INVOLVED ON THIS PROJECT SHALL VERIFY ALL DIMENSIONS AND CONDITIONS BEFORE STARTING WORK. ANY DISCREPANCY SHALL BE REPORTED IN WRITING BEFORE STARTING WORK.

Contractor
 CLW

DRAWING TITLE:
 ISO

PROJECT:
 10x10 Vista Vinyl Pergola

COMMENTS:

REVISIONS:	DATE:	BY:
------------	-------	-----

PAPER SIZE: 8.5" x 11"	DRAWING NUMBER: 21-060
---------------------------	---------------------------

DATE: 2/16/2021	PAGE: 6 of 6
-----------------	--------------

BY: JR.	SCALE: 1:32
---------	-------------