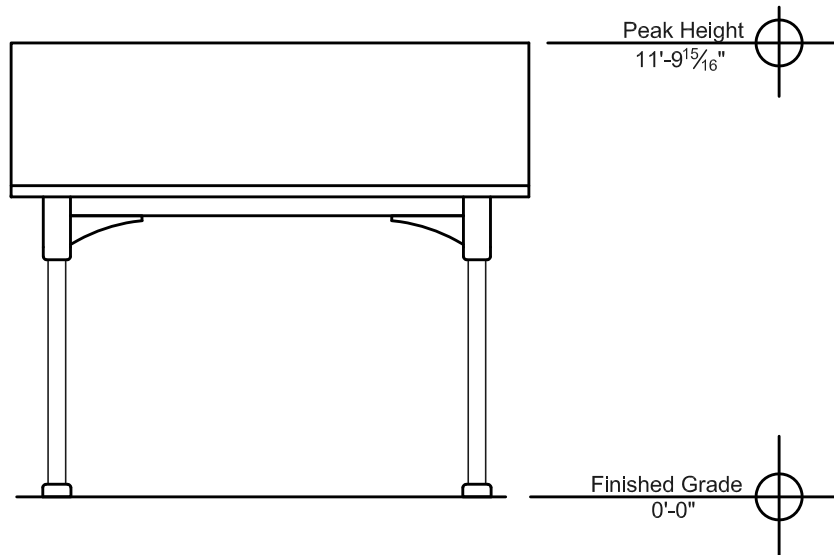


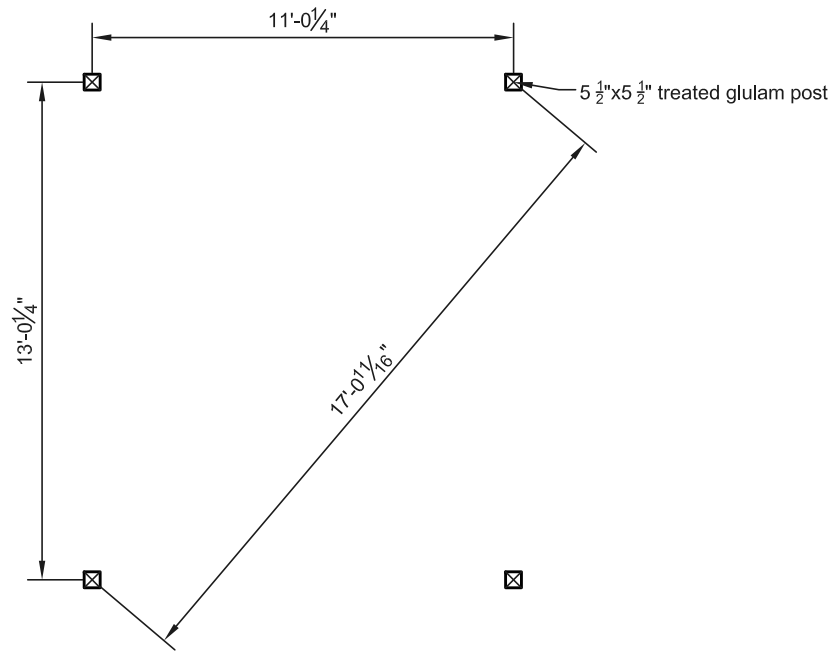
**End Elevation**

NTS



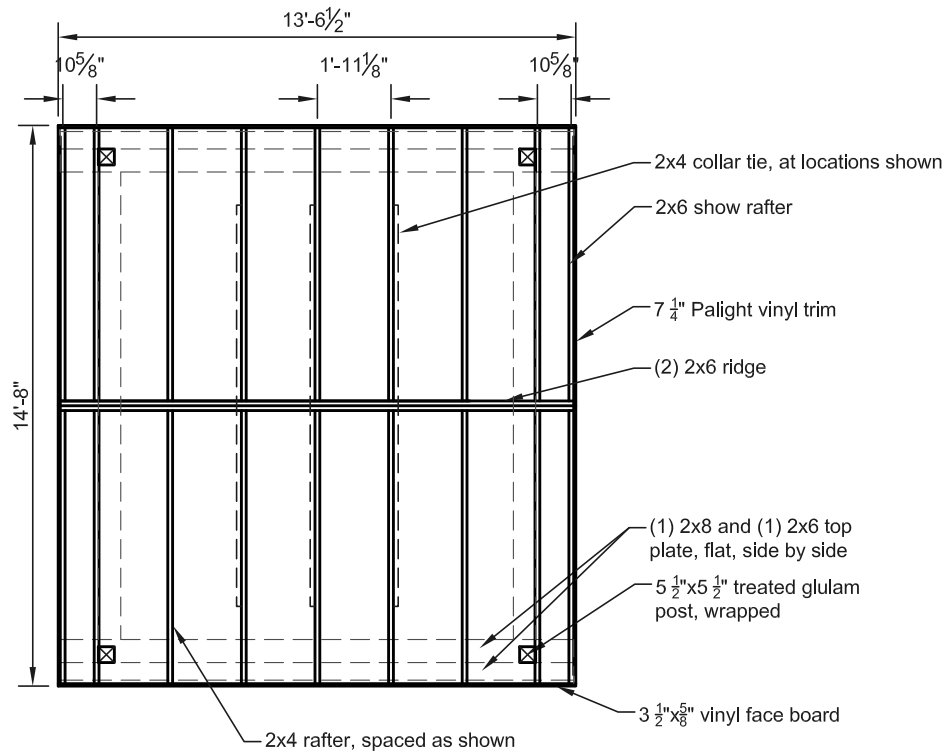
**Side Elevation**

NTS



# Post Layout Plan

NTS



# Roof Framing Plan

NTS