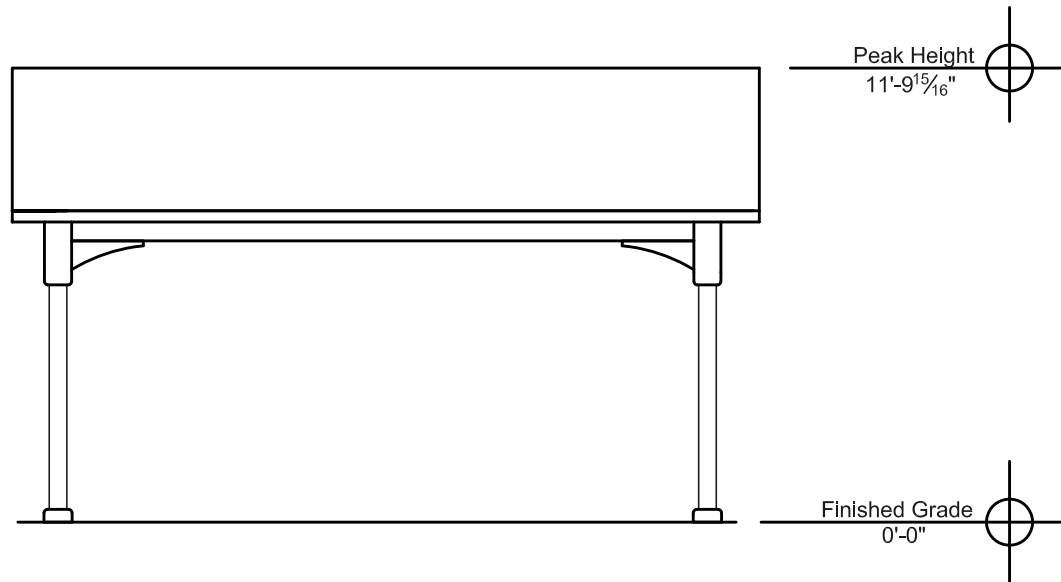


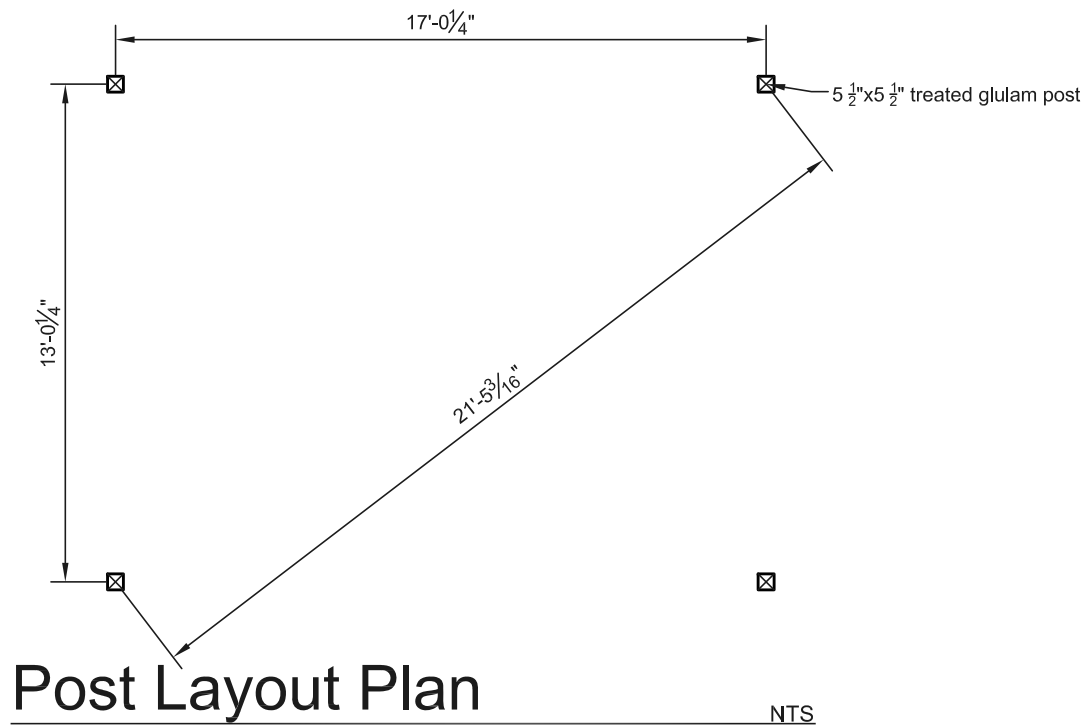
End Elevation

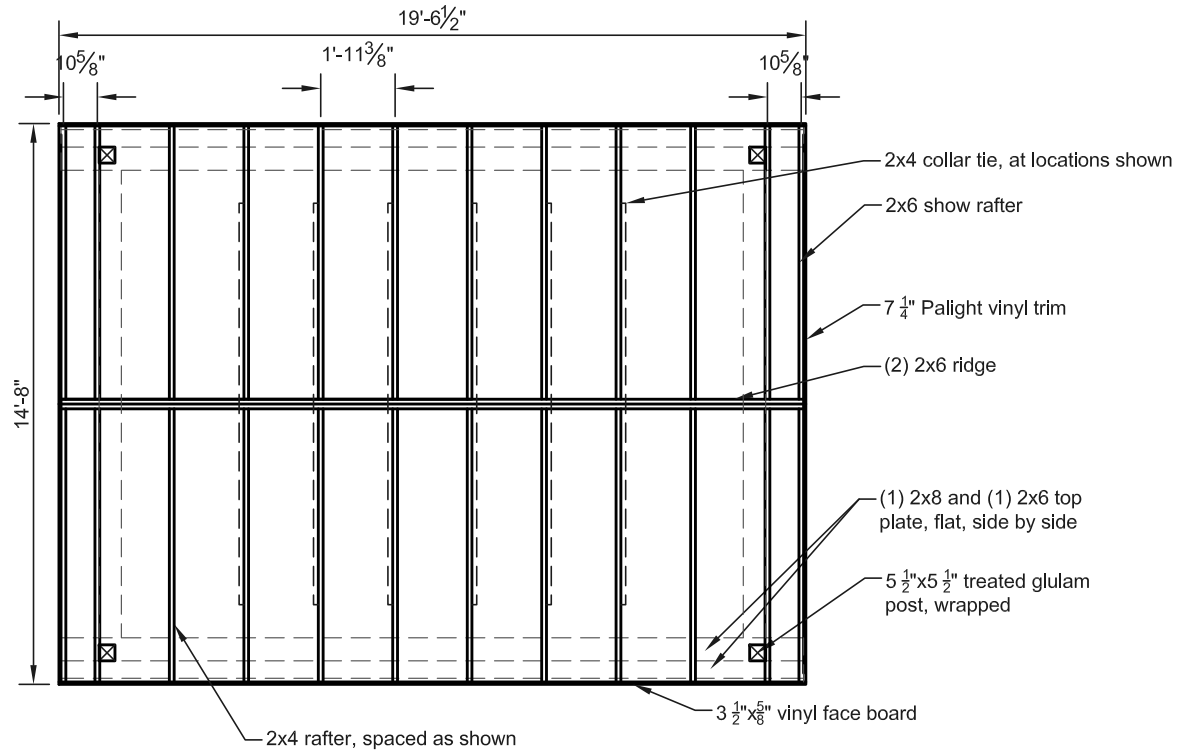
NTS



Side Elevation

NTS





Roof Framing Plan

NTS